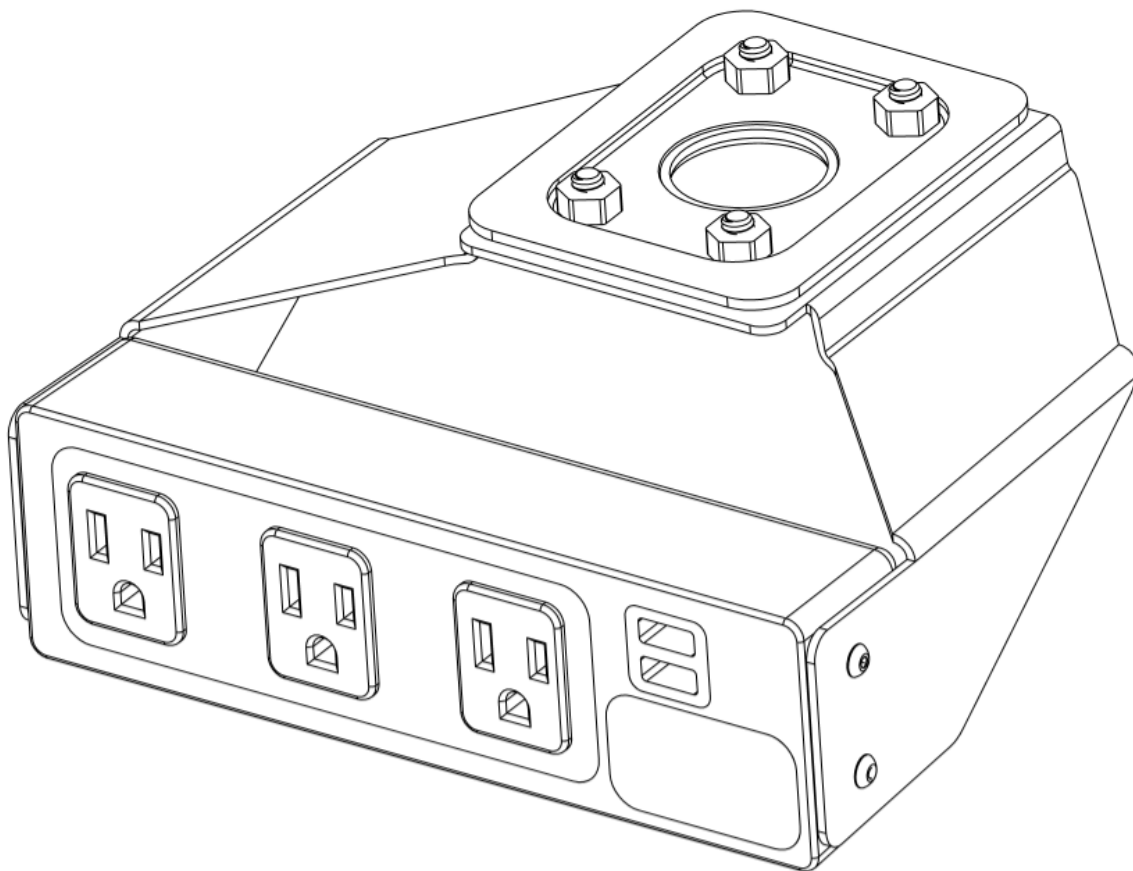


Assembly Instructions

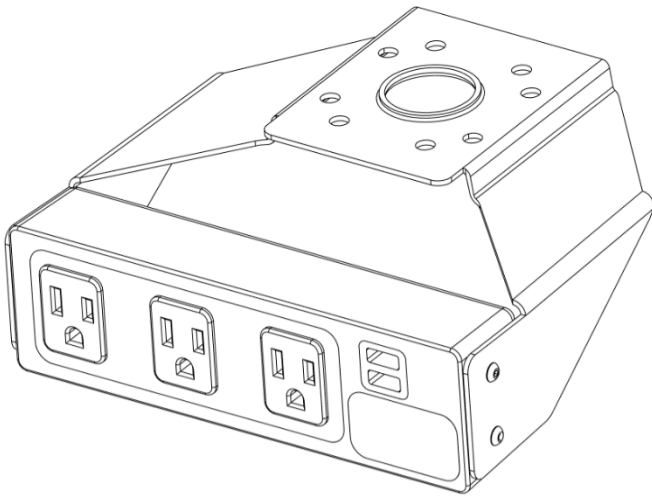
PLANNER STUDIO POWER

STRIP ASSEMBLY

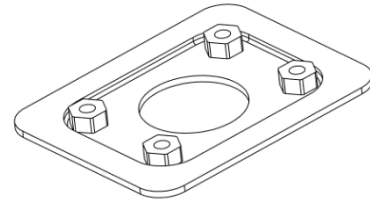
INSTRUCTIONS



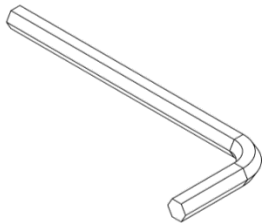
Hardware and Components



**BOLT ON POWER STRIP
BRACKET QTY. 1**



**BOLT ON POWER STRIP BACK BRACKET
QTY. 1**



**5/32 ALLEN KEY
QTY. 1**



**1/4\"-20 X 1/2\" SOCKET CAP SCREW
QTY. 4**

Special Notes:

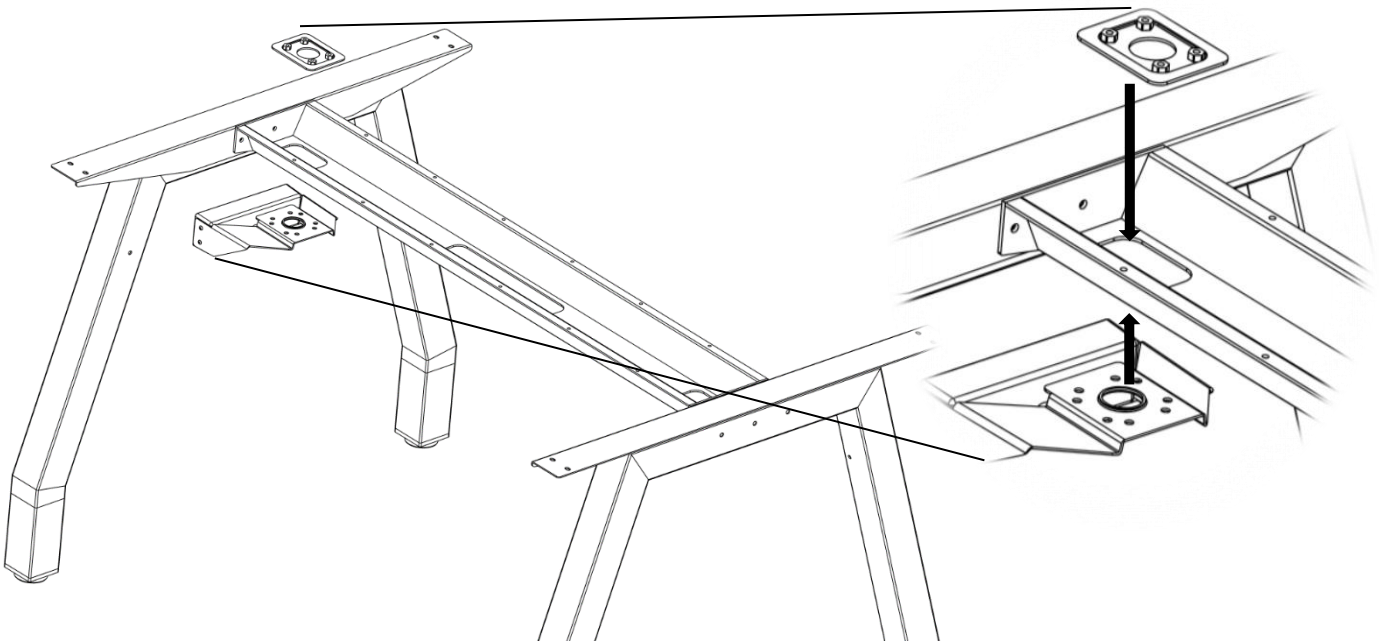
- Check that all components are accounted for and undamaged before assembling.
- Please assemble the product in a clean and dry area.
- Clean the product with a mild cleaner and a damp cloth.

If you have damaged or missing components, please contact customer service at 1-800-328-1061

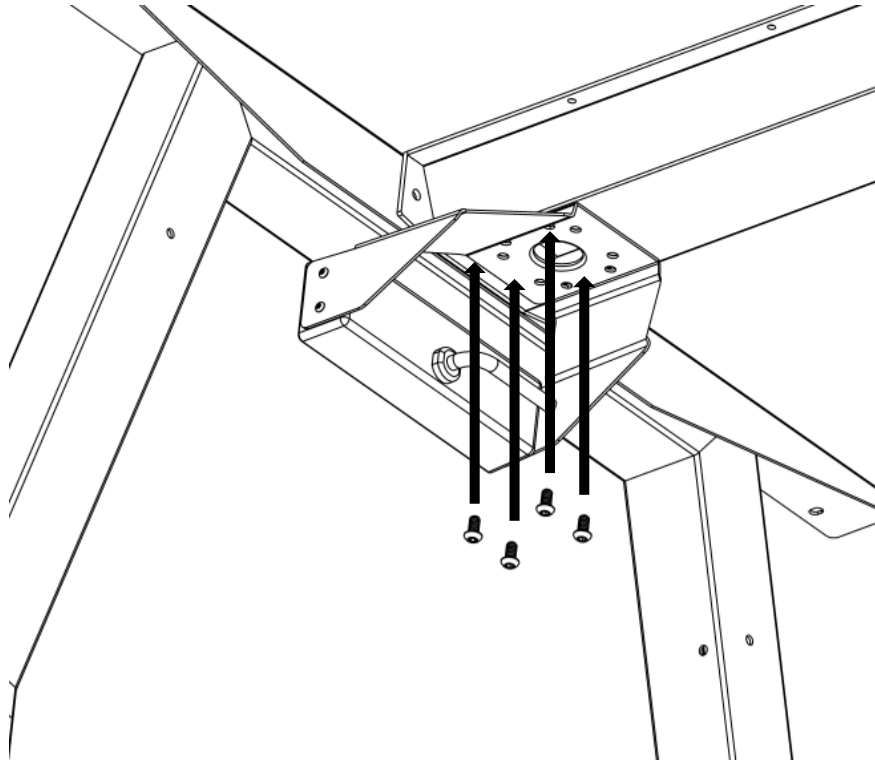
Assembly Instructions

1. Place the bolt on power strip back bracket on the inside of the planner studios cross brace. It will fit inside the rectangular cutout.

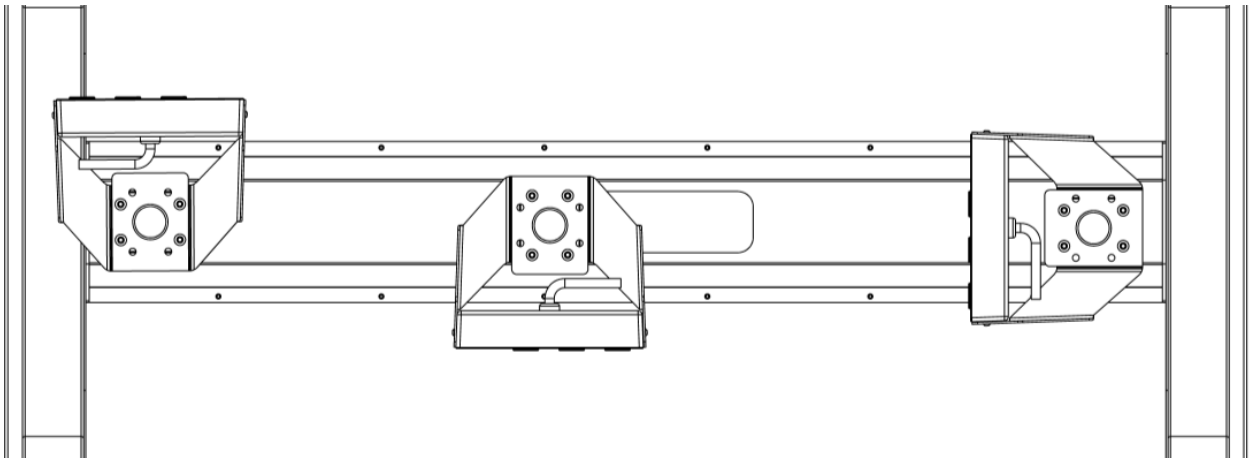
Helpful Hint: It is possible to attach this bracket to a fully assembled Planner Studio Table with the top already on it. The bolt on power strip back bracket will need to be inserted through the rectangular cutout in the planner studio cross brace.



- Using the included 5/32" Allen key, insert and tighten the 4x 1/4-20 x 1/2" screws as shown.



Helpful Hint: The bolt on power strip bracket can be mounted in increments of 90 degrees.



3. Optional: The power cord can be routed into the cross brace and back out for cable management.

