



# Elemental<sup>®</sup> Nest & Fold

## 60" Trapezoid Table - Adjustable Height

MODEL#: NL6oTR\_EJ



### OVERVIEW

Elemental Nest & Fold tables have 5 frame colors, with matching colored casters standard. The unique colored legs adjust between 29"-40". The tables' work surface flips upwards for convenient nesting.

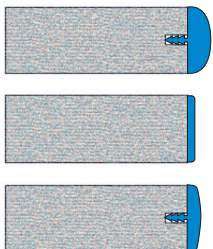
### MATERIALS

The 1 1/4" thick WORK SURFACE consists of a 45 lb density particle board core with a 0.030" high pressure laminated surface and a 0.020" melamine backer sheet. The edge of the tabletop features your choice of a 3/8" bumper t-mold or 4mm t-mold, which is then fastened to the underside of the work surface every 6 to 8 inches to assure a long lasting fit. Mounted under the work surface is a 11 gauge steel STIFFENER for reinforcement.

The Elemental LEG SETS are constructed of 16-gauge steel with a durable powdercoat paint finish in one of five colors. The pull-bar and mounting beam are also constructed of 16-gauge steel.

Color matched dual-wheel 3" casters standard on Nest & Fold tables. Legs and Casters come in Platinum, Charcoal, Orange, Cerulean or Apple and correspond with the leg set color choice.

### TABLE EDGE OPTIONS



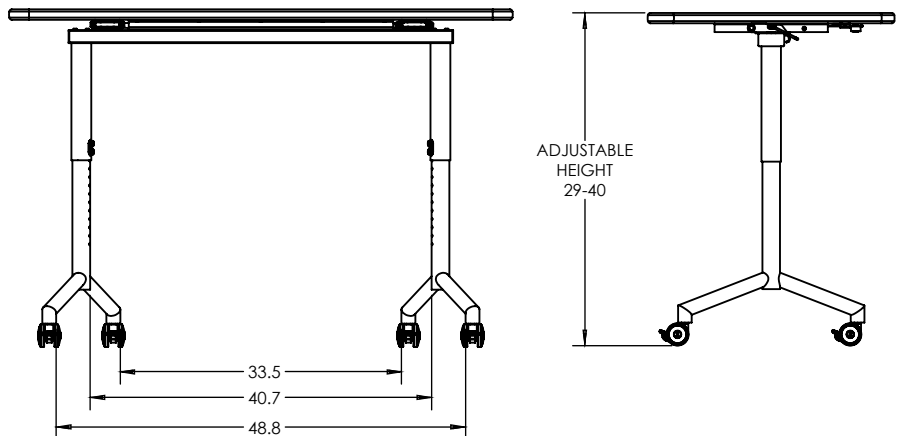
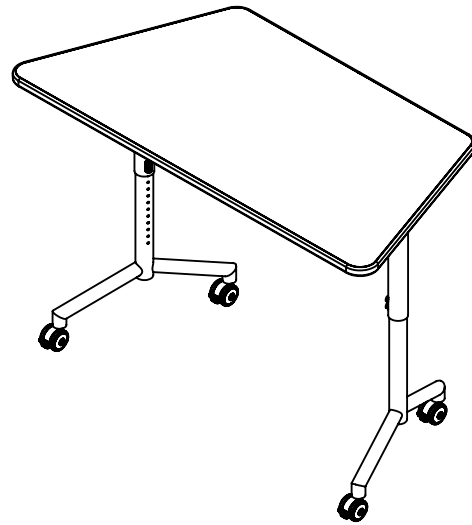
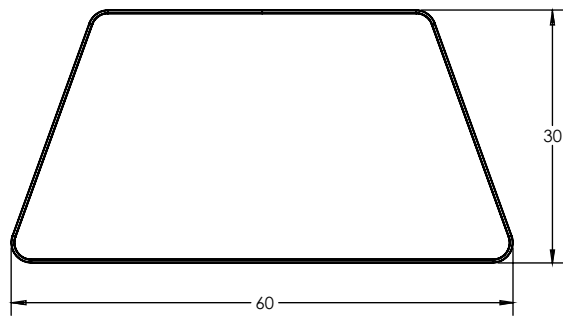
BUMPER 1 1/4" EDGE

F 3MM EDGE

D 1 1/4" 4MM EDGE

### DIMENSIONS

Model	Description	D"	W"	H"	WT.
NL6oHR_EJ	Elemental N&F 60" Trapezoid Table - Adjustable Height	30	60	29-40	109



**STANDARD LAMINATE OPTIONS**

Want to specify a different laminate?

No problem. If you have 20 or more tops of the same color -60 or -38 there is no upcharge. Have 20 or less? We can quote for you with the Wilsonart code and – finish style. We can specify other laminates – call to inquire and get a quote.

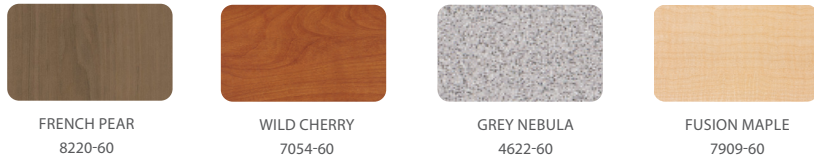
**SUGGESTED LAMINATE OPTIONS**



All 15 of the standard laminates are -60 finish, if you need to match a laminate from a previous year, please let us know on your order (example Pewter Mesh 4878-38, our standard is -60).

When the WilsonArt Laminate code includes a "Y", "K", "-12", "-78", "Aeon" etc, these are special laminates with an upcharge, even when it contains -38 or -60.

*Classic Standard Laminates:*



**STANDARD EDGE COLOR OPTIONS**

• Additional Lead Time



**LEG COLOR OPTIONS**

